



VIIPLUS INTERNATIONAL



Fast & safe shipping. Every time. Everywhere.

➔ 产品简述 Product Brief

固体润滑轴承是在轴承基体的金属摩擦面上开出排列有序大小适当的孔穴，并嵌入具有独特自润滑性能的成型固体润滑剂制成的自润滑轴承。该轴承综合了金属基体和具有特殊配方的润滑材料和各种优点。突破了一般轴承依靠油膜润滑的界限性。固体润滑轴承特别适用于无油、高温、高负荷、低速度，防污、防蚀、防辐射，以及在水中或真空溶液浸润而根本无法加润滑油的特殊工况条件下使用。

产品广泛应用于冶金轧钢设备、矿山机械、船舶机械、船舶工业、航天航海、水轮机、气轮机、灌装设备、仪器仪表、纺织机械，并在其它工业机械中有着广阔的应用领域，并得到了越来越多的使用。

Solid-lubricant-inliad bushing is the self-lubricant bushing which is based on the metal friction surface of the bushing basement where holes are spreaded reasonably in proper size and specific solid lubricant which has self-lubricant function is inserted, This kind of bushing has included the advantages of the metal basement and lubricant materials that has the specific direction for producing chemicals. It has broken in the limit of general bushings that depend on oil film. Solid-lubricant-inliad bushing is especially applied in oil-free high temperature, High load, low speed, contamination resistance, corruption resistance radiation resistance as well as the use under such special work conditions as in the water or being soaked by vacuum solution so that cannot add lubricant oil film.

The products is widely applied in metallurgy and steel-rolling equipment, mine machinery, shipping machinery, shipping industry. Space voyage, hydraulic turbine, gas turbine, filling equipment, instuments and weave machinery. It also has a wide rang of application in other industrial and agriculture machinery. And it is being used more and more widely.

➔ JDB 应用特点 Application

JDB 是通用的基础产品，无论高压、低压、高温、低温、有油润滑、无油润滑还是水中润滑都能适应。产品的基体是高力黄铜，比一般的铜套硬度提高一倍，耐磨性能提高一倍以上，因此在冶金行业的连铸机、轧机、输送机上都可采用。还用于塑料注塑机锁模机构，挤出机构，高压电的自动开关，建筑机械的起吊支撑部位，以及水利枢纽工程的弧门支撑，滑轮和传动轮部位。还有造纸机烘道、汽车模具、船舶起锚滑动部位等。

JDB Can be used under low, middle and high load. When under high load, wear performance desgrades accordingly. It's a general-purpose product and be applied under low or high pressure, low or high temperature, and oil, water or dry lubrication. The base material is high strength brass and its hardness doubles than normal bronze so that wear performance improves in large degree. Can be applied in consistent cast machine, rolling machine, conveyor equipment; plastic injection machine, high voltage switch; hoisting supporter, hydraulic gate supporter, paper-making machine, automobile die etc.

➔ 主要材料推荐 Main Materials Recommendation

合金材质 Metal Type

FSB 标准 FSB Standard	高力黄铜 Cast bronze	铜合金 Copper alloy	铜合金 Copper alloy	铜合金 Copper alloy	特硬高力黄铜 Strong cast bronze	铸铁 Cast iron
Base material 基本材质	CuZn24Al6	CuSnZn5Pb5	CuAl10Ni5	CuSn12	CuZn24Al6	HT250
Hardness HB 硬度	>210	>70	>150	>80	>250	>160
Tensile strength 抗拉强度 N/mm ²	>750	>200	>500	>360	>800	>250
Elongation% 伸长率	>12	>15	>10	>8	>4	
Coefficient of linear expansion 热胀系数	1.9*10 ⁻⁵ /°C	1.8*10 ⁻⁵ /°C	1.6*10 ⁻⁵ /°C	1.8*10 ⁻⁵ /°C	1.9*10 ⁻⁵ /°C	1.0*10 ⁻⁵ /°C
Limit Temp. 温度	300°C	400°C	400°C	400°C	300°C	400°C
Max. Load N/mm ² 最大动承载	100	60	50	70	150	10
Max. Speed m/min 最大线速度	15	10	20	10	10	15
Max. Pv 最大 PV N/mm ² *m/min	200	200	200	200	200	200
压缩永久变形量 400N/mm ²	<0.01	<0.05	<0.04	<0.05	<0.05	<0.015

同时FSB可以根据客户的特别要求提供HB>270及HB>300的特高硬铜材料

As special requesi FSB also can supply the strong cast bronze of special high hardness HB>270 , HB>300

➔ 固体润滑剂 Solid Lubricants

固体润滑剂 Lubricants	特性 Features	典型用途 Typical application
高纯石墨 + 添加剂 Si1 Graphite+add	很好的耐磨性和化学稳定性，使用温度 <400°C Excellent resistance against chemical attacks and low friction. Temp. limit 400°C	适用于一般机械，在大气中使用 Suite for general machines and under atmosphere
SL4+MOS2 PTFE+MOS2+CF	极低的摩擦系数和很好的水润滑性，使用温度 <300°C Lowest in friction and good of water lubrication, Temp. limit 300°C	适用于水、海水润滑，如船舶、水工弧门，水轮机、制药饮料机械等 Ship, hydraulic turbine, gas turbine etc.

➔ 产品简述 Product Brief

FZH (铜基)、FZL (铝基)、FZP (树脂基) 钢球保持圈, 分别以铜合金、硬铝合金、POM树脂为基体, 并在其外圆表面上, 加工出排列有序、大小适当, 形状特殊的孔穴, 在其孔穴中镶入滚动轴承钢球。采用最新的沟槽圆周锁球工艺, 有效地解决了传统式锁球和压痕式锁球不能完全防止钢球脱落的难题。孔底加工出90°止口使钢球在孔内自由转动而不脱落。由于钢球的直径大于保持圈的壁厚, 所以在使用时钢球高出保持圈内、外圆表面, 直接与相配的孔与轴接触, 使基体(保持圈)浮于中间, 并且相配的孔与轴半径之差小于钢球直径, 即钢球与之配合为过盈配合, 配合精度高, 轴与孔相对运动灵活。是保持圈的更新换代产品。

FZH. FZL. FZP. ball retainer are as copper, aluminium, POM base. they are machined some regular holes and embedded the steel-ball into. The new work-craft will prevent the ball getting out of as old. as the ball diameter is larger than the retainer s thickness, so it will face to face directly with 90° guide bushing, that will bring high precision match now the ball retainer series items are designed to rotate on the post, as well as maintainits vertical motion. we believe this will give you the benefit of increasing accijracy.

➔ 优点与用途 Advantage and Application Scope

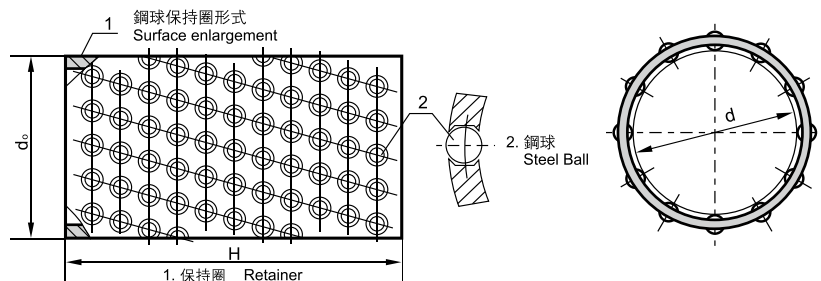
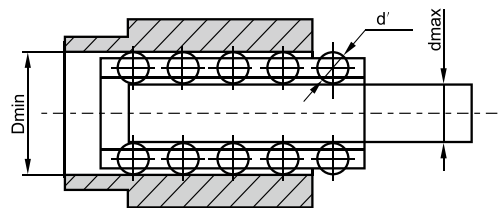
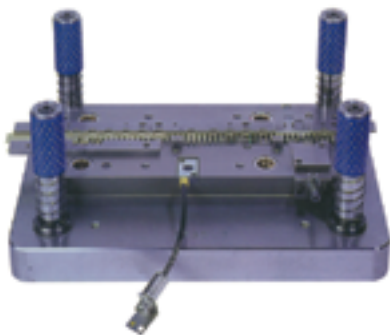
传统的具有相对运动的孔与轴是有一定间隙的, 并孔与轴之间运动摩擦系数较大, 使用钢球保持圈后, 使轴与孔不直接接触, 而是通过中间微量过盈的钢球, 因而运动精度高, 滚动摩擦代替滑动摩擦, 滚动灵活, 摩擦系数小, 使用寿命长, 在既有转动、又有移动的场所, 用无油或加油的轴套与轴相配合, 虽然能满足, 但运动精度较低, 用滚动轴承, 只能满足轴相对转动的场合, 而钢球保持圈, 则上述二个条件均得到满足, 目前已广泛应用于冷冲模滚动模架、高精度机床、机床附件以及要求高精度轴向或轴径向同时运动场合。

As the traditional work-craft has some grudge between bushing with posts, and the coefficient of friction is larger. now we have changed the work-ways to steel-ball directly face to face guide bushing, so the precision is improved. it composes of both active roll and lower friction coefficient, now they have been widely used in punching machine, die machine, high precision machine which need rotation and vertical motion.

➔ 相配零件的要求 Installed Spares Requested

- 1.导套: 材料GCr15、YB9, 热处理, 硬度HRC62~66, 技术条件按GB/T12446与轴配合应具有0.01-0.02径向过盈量, 表面粗糙度为 $0.05\sqrt{\text{Rz}}$
- 2.轴: 材料GCr15、YB9, 热处理, 硬度HRC62~66, 技术条件按GB/T12446, 轴的公差采用h5, 表面粗糙度为 $0.09\sqrt{\text{Rz}}$
- 3.测量: 用通用的测量手段 (气动量仪、外径千分尺、内径千分表等) 测量轴导套和钢球的尺寸偏差值, 即可求出配合后的过盈量, 即 $Y_{\max} = d_{\max} + 2d - D_{\min}$, 要求过盈量为 0.01-0.02mm.

- 1. Guide bushing: material GCr15, YB9, heat treatment HRC62-66, technique condition according to GB/T1 2446. Request 0.01-0.02mm the surface roughness is $0.05\sqrt{\text{Rz}}$
- 2. Guidie posts: matrial GCr15, YB9, heat treatment HRC62-66, the tolerance of shaft is h5, the surface roughness is $0.05\sqrt{\text{Rz}}$
- 3. Size test: it is tested by outside micrometer & dial gauge as usual. The Y_{\max} ($Y_{\max} + 2d' - D_{\min}$) request 0.01-0.02mm.



钢球保持架参数

STEEL BALL RETAINER PARAMETERS (STANDARD MODEL)



Unit(单位): mm

规格	每圈孔数	每排孔数	钢球数	钢球直径	规格	每圈孔数	每排孔数	钢球数	钢球直径	规格	每圈孔数	每排孔数	钢球数	钢球直径
16*30	10	5	50	3mm & 1/8"	28*50	14	7	98	4mm & 5/32"	38*80	16	9	144	5mm & 3/16"
16*45	10	8	80		28*60	14	9	126		38*90	16	11	176	
18*40	12	7	84		28*75	14	11	154		40*80	18	9	162	
18*50	12	8	96		28*80	14	12	168		40*90	18	11	198	
18*60	12	10	120		30*50	16	7	112		45*60	18	7	126	
19*50	12	8	96		30*60	16	9	144		45*80	18	9	162	
19*60	12	10	120		30*75	16	11	176		45*85	18	10	180	
20*40	12	7	84		30*80	16	12	192		45*90	18	11	198	
20*45	12	8	96		32*50	16	7	112		50*90	20	11	220	
20*50	12	8	96		32*60	16	9	144		50*100	20	12	240	
20*60	12	10	120		32*75	16	11	176		50*110	20	13	260	
22*40	14	7	98		32*80	16	12	192		55*90	22	11	242	
22*50	14	8	112		32*90	16	13	208		55*100	22	12	264	
22*60	14	10	140		32*100	16	15	240		55*110	22	13	288	
22*70	14	12	168		35*60	18	9	162		60*100	24	12	288	
25*40	16	7	112		35*75	18	11	198		60*110	24	13	314	
25*50	16	8	128		35*80	18	12	216		65*100	26	12	312	
25*60	16	10	160		35*90	18	13	234		65*110	26	13	338	
25*70	16	12	192		35*100	18	15	270		70*90	28	11	308	
25*75	16	13	208		38*70	18	10	180		70*100	28	12	336	
28*40	18	7	126	38*80	18	12	216	80*130	30	16	480			
28*50	18	8	144	38*85	18	12	216	80*150	30	18	540			
28*60	18	10	180	40*70	20	10	200							
28*70	18	12	216	40*80	16	9	144							
28*75	18	13	234	40*90	16	11	176							
28*80	18	14	252	40*100	16	12	192							

钢球保持架参数

STEEL BALL RETAINER PARAMETERS



Unit(单位): mm

规格	每圈孔数	每排孔数	钢球数	钢球直径	规格	每圈孔数	每排孔数	钢球数	钢球直径	规格	每圈孔数	每排孔数	钢球数	钢球直径
10*21	6	7	42	2mm & 2.5mm	22*60	10	18	180	3mm & 1/8"	38*60	13	14	182	4mm & 5/32"
10*30	6	11	66		22*70	10	22	220		38*70	13	16	208	
10*40	6	15	90		25*48	12	14	168		38*80	13	18	234	
12*30	7	11	77		25*60	12	18	216		40*95	13	18	286	
12*40	7	15	105		25*70	12	22	264		45*90	14	21	294	
12*120	7	47	329		25*75	12	23	276		35*160	10	30	300	
13*25	7	9	63		25*240	12	77	924		35*210	10	40	400	
13*30	7	11	77		28*60	13	18	234		38*70	11	13	143	
13*40	7	15	105		28*70	13	22	286		38*90	11	17	187	
14*25	8	9	72		28*75	13	23	299		40*90	12	17	204	
14*30	8	11	88		28*50	10	11	110	45*85	13	15	195		
14*40	8	15	120		28*60	10	14	140	45*90	13	17	221		
15*30	8	11	88		28*75	10	17	170	50*80	14	15	210		
15*40	8	15	120		28*80	10	18	180	50*90	14	17	238		
16*25	9	9	81		30*50	11	11	121	50*100	14	19	266		
16*35	9	11	99		30*60	11	14	154	50*110	14	21	294		
16*40	9	15	135		30*75	11	17	187	55*90	15	17	255		
16*45	9	17	153		30*80	11	18	198	55*100	15	19	285		
16*30	8	8	64		31*55	11	12	132	55*110	15	21	315		
16*40	8	12	96		31*85	11	20	220	60*90	16	17	272		
16*45	8	14	112	32*60	12	14	168	60*100	16	19	304			
16*60	8	18	144	32*75	12	17	204	60*110	16	21	336			
18*40	9	12	108	32*80	12	18	216	65*90	17	17	289			
18*50	9	15	135	32*85	12	20	240	65*100	17	19	323			
18*60	9	18	162	32*90	12	21	252	65*110	17	21	357			
20*40	9	12	108	32*100	12	23	276	70*90	18	17	306			
20*45	9	14	126	35*60	12	14	168	70*110	18	21	378			
20*50	9	15	135	36*75	12	17	204	80*130	20	24	480			
20*60	9	18	162	35*80	12	18	216	80*150	20	28	560			
22*40	10	12	120	35*90	12	21	252							
22*50	10	15	150	35*100	12	23	276							

钢球保持架参数

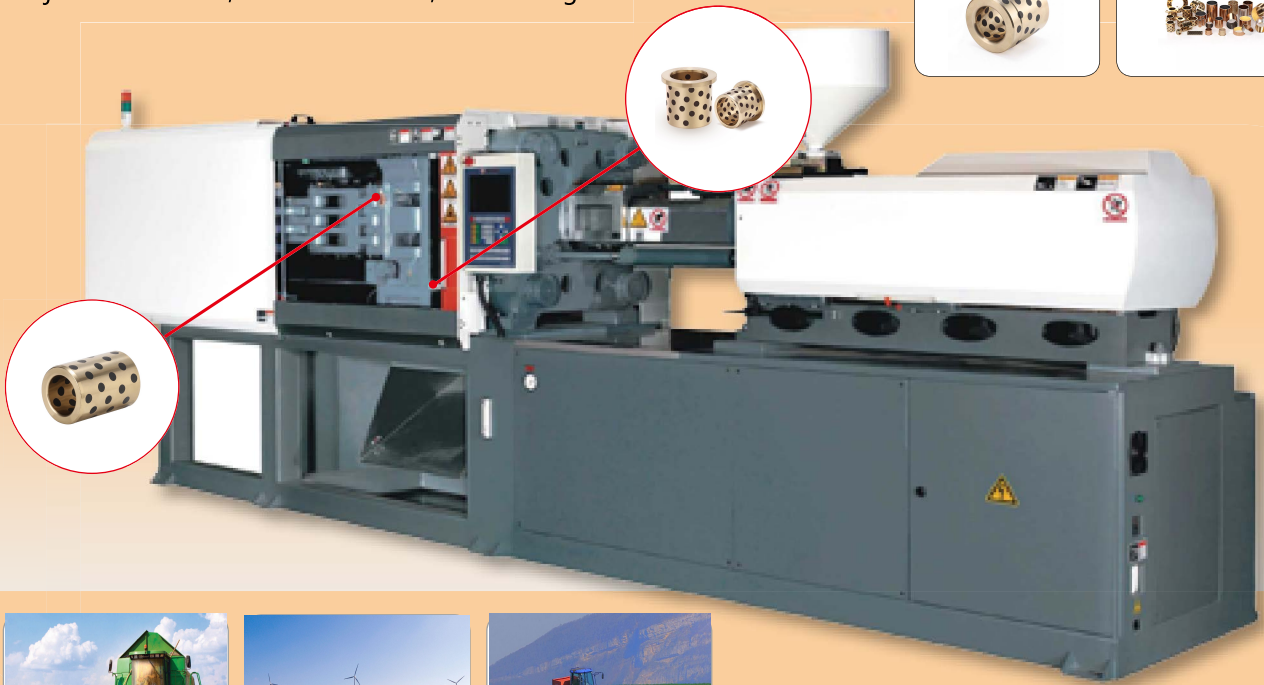
STEEL BALL RETAINER PARAMETERS



Unit(单位): mm

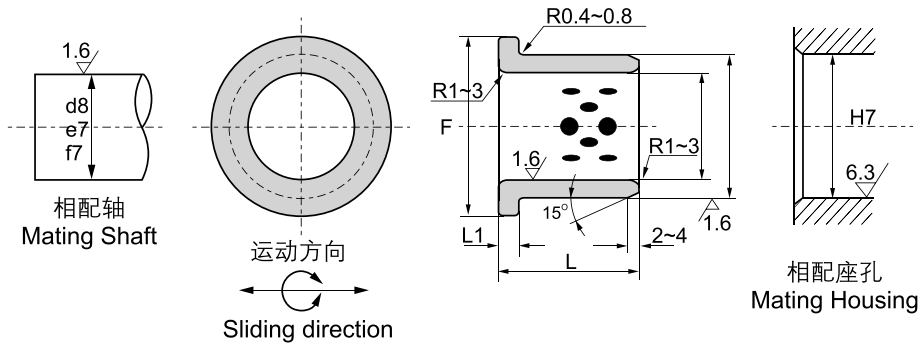
规格	每圈孔数	每排孔数	钢球数	钢球直径	规格	每圈孔数	每排孔数	钢球数	钢球直径	规格	每圈孔数	每排孔数	钢球数	钢球直径
10*21	9	7	63	2mm & 2.5mm	22*60	12	18	216	3mm & 1/8"	35*90	16	21	336	4mm & 5/32"
10*30	9	11	99		22*70	12	22	264		35*100	16	23	368	
10*40	9	15	135		25*48	14	14	196		38*60	17	14	238	
12*30	10	11	110		25*60	14	18	252		38*70	17	16	272	
12*40	10	15	150		25*70	14	22	308		38*80	17	18	306	
12*120	10	47	470		25*75	14	23	322		40*95	17	22	374	
13*25	10	9	90		25*240	14	77	1078		45*90	18	21	378	
13*30	10	11	110		28*60	15	18	270		35*80	13	15	195	
13*40	10	15	150		28*70	15	22	330		35*90	13	17	221	
14*25	11	9	99		28*75	15	23	345		38*70	14	13	182	
14*30	11	11	121		30*70	16	22	352	38*90	14	17	238		
14*40	11	15	165		30*80	16	25	400	40*90	15	17	255		
15*30	11	11	121		28*50	14	11	154	45*80	16	15	240		
15*40	11	15	165		28*60	14	14	196	45*90	16	17	272		
16*25	11	9	99		28*75	14	17	238	50*80	17	15	255		
16*35	11	11	121		28*80	14	18	252	50*90	17	17	289		
16*40	11	15	165		30*50	15	11	165	50*100	17	19	323		
16*45	11	17	187		30*60	15	14	210	50*110	17	21	357		
16*30	10	8	80		30*75	15	17	255	55*90	18	17	306		
16*40	10	12	120		30*80	15	18	270	55*100	18	19	342		
16*45	10	14	140	31*55	15	12	180	55*110	18	21	378			
16*60	10	18	180	31*85	15	20	300	60*90	19	17	323			
18*40	11	12	132	32*60	15	14	210	60*100	19	19	361			
18*50	11	15	165	32*75	15	17	255	60*110	19	21	399			
18*60	11	18	198	32*80	15	18	270	65*90	20	17	340			
20*40	12	12	144	32*85	15	20	300	65*100	20	19	380			
20*45	12	14	168	32*90	15	21	315	65*110	20	21	420			
20*50	12	15	180	32*100	15	23	345	70*90	21	17	357			
20*60	12	18	216	35*60	16	14	224	70*110	21	21	441			
22*40	12	12	144	36*75	16	17	272	80*130	23	24	552			
22*50	12	15	180	35*80	16	18	288	80*150	23	28	644			
				3mm & 1/8"					4mm & 5/32"					5mm & 3/16"

- ◎ 成型机械注塑机、橡胶机械、压铸机
- ◎ Injection Machine, Rubber Machine, Die-Casting Machines



JFB650 自润翻边轴套

OILLESS FLANGE BUSHES



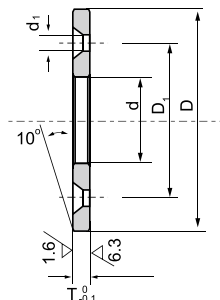
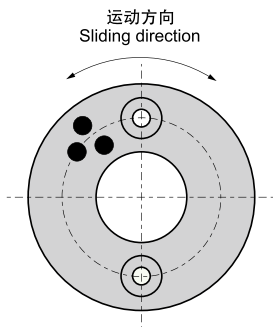
材质	高力黄铜 + 石墨
Material	CuZn25Al5Mn3Fe3+Graphite

Unit(单位): mm

d	D	IDf7	ODr6	F	L1 -0.10	L -0.10 -0.30															
						15	20	25	30	35	40	50	60	80	100						
10	14	10	+0.040 +0.025	14	+0.034 +0.023	22	2	JFB650 1015	JFB650 1020												
12	18	12		18		25		JFB650 1215	JFB650 1220												
13	19	13		19		26		JFB650 1315	JFB650 1320												
14	20	14	+0.050 +0.032	20		27	3	JFB650 1415	JFB650 1420												
15	21	15		21	+0.041 +0.028	28		JFB650 1515	JFB650 1520	JFB650 1525	JFB650 1530										
16	22	16		22		29		JFB650 1615	JFB650 1620	JFB650 1625	JFB650 1630										
20	30	20		30		40		JFB650 2015	JFB650 2020	JFB650 2025	JFB650 2030		JFB650 2040								
25	35	25	+0.061 +0.040	35		45		JFB650 2515	JFB650 2520	JFB650 2525	JFB650 2530		JFB650 2540								
30	40	30		40		50			JFB650 3020	JFB650 3025	JFB650 3030	JFB650 3035	JFB650 3040	JFB650 3050							
31.5	40	31.5		40	+0.050 +0.034	50			JFB650 3120			JFB650 3135									
35	45	35		45		60	5		JFB650 3520		JFB650 3530		JFB650 3540	JFB650 3550							
40	50	40	+0.075 +0.050	50		65			JFB650 4020		JFB650 4030		JFB650 4040	JFB650 4050							
45	55	45		55		70					JFB650 4530		JFB650 4540	JFB650 4550	JFB650 4560						
50	60	50		60	+0.060 +0.041	75					JFB650 5030		JFB650 5050	JFB650 5050	JFB650 5060						
55	65	55		65		80							JFB650 5540		JFB650 5560						
60	75	60		75	+0.062 +0.043	90							JFB650 6040	JFB650 6050					JFB650 6080		
63	75	63		75		85	7.5												JFB650 6367		
70	85	70	+0.090 +0.060	85		105								JFB650 7050					JFB650 7080		
75	90	75		90	+0.073 +0.051	110										JFB650 7560					
80	100	80		100		120													JFB650 8060	JFB650 8080	JFB650 80100
90	110	90		110		130													JFB650 9060	JFB650 9080	
100	120	100	+0.107 +0.072	120	+0.076 +0.054	150	10													JFB650 10080	JFB650 100100
120	140	120		140	+0.088 +0.063	170														JFB650 12080	JFB650 120100

JTW650 止推垫片

OILLESS THRUST WASHERS



材质	高力黄铜 + 石墨
Material	CuZn25Al5Mn3Fe3+Graphite

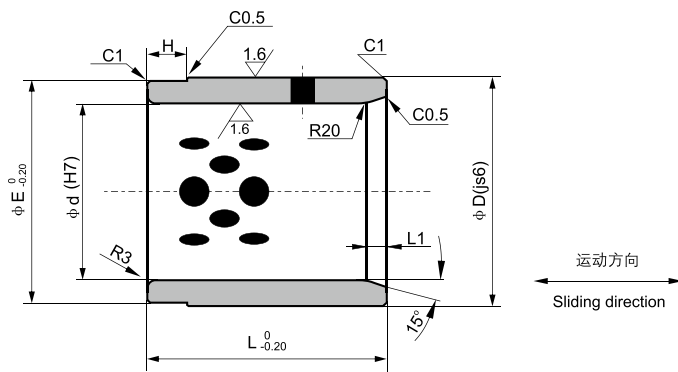


Unit(单位): mm

Standard No. 规格	d	D	T ₀ ⁰ _{-0.1}	Bolt 螺栓				
				D ₁	Q'ty 数量	Size 尺寸	d ₁	
JTW650-10	10.2	30	3	—	—	—	—	
JTW650-12	12.2	40		5	28	2	M3	3.5
JTW650-13	13.2							
JTW650-14	14.2							
JTW650-15	15.2							
JTW650-16	16.2	50			35	2	M3	3.5
JTW650-16N			—					
JTW650-18	18.2	60	5	35	2	M3	3.5	
JTW650-20	20.2							
JTW650-20N	20.2	70	5	40	2	M5	6	
JTW650-25	25.2							
JTW650-25N	25.2	80	7	60	2	M5	6	
JTW650-30	30.2							
JTW650-35	35.2	90	8	67.5	2	M6	7	
JTW650-40	40.2							
JTW650-45	45.3	100	8	75	4	M8	9	
JTW650-50	50.3							
JTW650-55	55.3	110	10	85	4	M8	9	
JTW650-60	60.3							
JTW650-65	65.3	120	10	90	4	M8	9	
JTW650-70	70.3							
JTW650-75	75.3	125	10	95	4	M8	9	
JTW650-80	80.3							
JTW650-80	80.3	130	10	100	4	M8	9	
JTW650-90	90.5							
JTW650-100	100.5	140	10	110	4	M8	9	
JTW650-100	100.5							
JTW650-100	100.5	150	10	120	4	M8	9	
JTW650-120	120.5							
JTW650-120	120.5	170	10	140	4	M8	9	
JTW650-120	120.5							
JTW650-120	120.5	190	10	160	4	M10	11	
JTW650-120	120.5							
JTW650-120	120.5	200	10	175	4	M10	11	
JTW650-120	120.5							

GB650, GB250 自润导向套

OILLESS GUIDE BUSHES



GB650	材质	高力黄铜 + 石墨
	Material	CuZn25Al5Mn3Fe3+Graphite
GB250	材质	FC250 铸铁 + 石墨
	Material	250#+Graphite



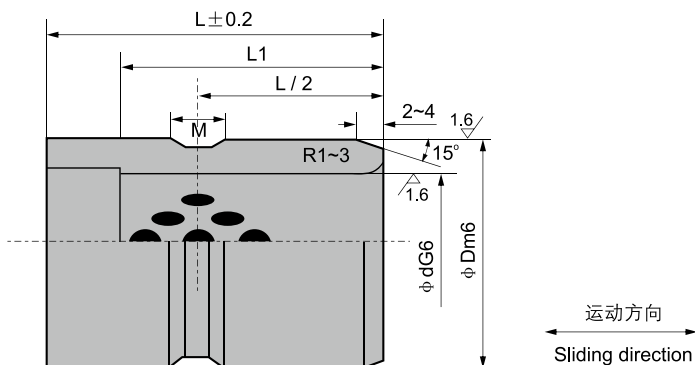
Unit(单位): mm

Item	Standard No. 规格	Size 尺寸	ΦD	Φd	L	ΦE	H	L1
1	GB650-30	50 × 30 × 50	50	30	50	49	10	5
2	GB650-40	60 × 40 × 50	60	40	60	59	10	
3	GB650-50	70 × 50 × 50	70	50	75	69	15	
4	GB650-60	80 × 60 × 90	80	60	90	79	20	
5	GB650-80	100 × 80 × 120	100	80	120	99	25	10
6	GB650-100	120 × 100 × 130	120	100	150	119	25	
7	GB650-120	140 × 120 × 180	140	120	180	139	25	

1	GB250-30	50 × 30 × 50	50	30	50	49	10	5
2	GB250-40	60 × 40 × 50	60	40	60	59	10	
3	GB250-50	70 × 50 × 50	70	50	75	69	15	
4	GB250-60	80 × 60 × 90	80	60	90	79	20	
5	GB250-80	100 × 80 × 120	100	80	120	99	25	10
6	GB250-100	120 × 100 × 130	120	100	150	119	25	
7	GB250-120	140 × 120 × 180	140	120	180	139	25	

JGB 自润滑导向套

OILLESS GUIDE BUSHES



材质	高力黄铜 + 石墨
Material	CuZn25Al5Mn3Fe3+Graphite



Unit(单位): mm

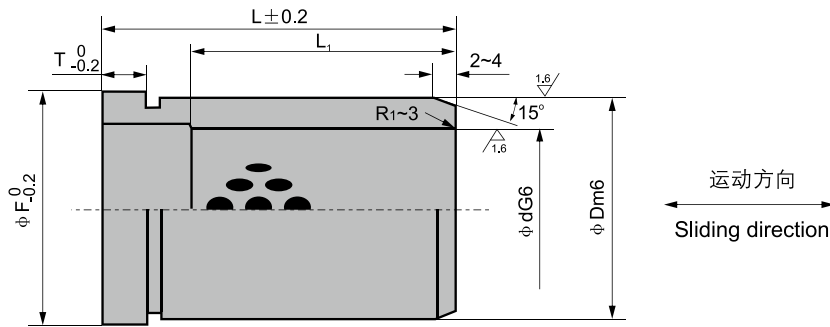
Standard No. 规格	Φd	G6	ΦD	m6	L	L1	M
JGB-12 × 9					9	9	-
JGB-12 × 14	12		18	+0.018 +0.007	14	14	
JGB-12 × 19					19	19	
JGB-12 × 24					24	24	4
JGB-13 × 14	13		20		14	14	
JGB-13 × 19					19	19	
JGB-13 × 24					24	24	
JGB-13 × 29		+0.017 +0.006			29	29	6
JGB-13 × 34					34	30	
JGB-16 × 14	16		25		14	14	
JGB-16 × 19					19	19	4
JGB-16 × 24					24	24	
JGB-16 × 29					29	29	6
JGB-16 × 34				+0.021 +0.008	34	34	
JGB-16 × 39					39	35	
JGB-20 × 14	20		30		14	14	
JGB-20 × 19					19	19	4
JGB-20 × 24					24	24	
JGB-20 × 29		+0.020 +0.007			29	29	6
JGB-20 × 34					34	34	
JGB-20 × 39					39	39	
JGB-20 × 49					49	40	
JGB-25 × 24	25		35		24	24	
JGB-25 × 29					29	29	
JGB-25 × 34					34	34	8
JGB-25 × 39					39	39	
JGB-25 × 49					49	49	
JGB-25 × 59					59	50	
JGB-30 × 29	30	+0.020 +0.007	42	+0.025 +0.009	29	29	
JGB-30 × 34					34	34	
JGB-30 × 39					39	39	
JGB-30 × 49					49	49	8
JGB-30 × 59					59	59	
JGB-30 × 69					69	60	
JGB-30 × 79					79	60	

Standard No. 规格	Φd	G6	ΦD	m6	L	L1	M
JGB-35 × 29					29	29	
JGB-35 × 39	35		48	+0.025 +0.009	34	34	
JGB-35 × 39					39	39	
JGB-35 × 49					49	49	8
JGB-35 × 59					59	59	
JGB-35 × 69					69	69	
JGB-35 × 79					79	70	
JGB-40 × 39	40	+0.025 +0.009	55		39	39	
JGB-40 × 49					49	49	
JGB-40 × 59					59	59	10
JGB-40 × 69	69	69					
JGB-40 × 79					79	79	
JGB-40 × 89					89	80	
JGB-50 × 49	50		70	+0.030 +0.011	49	49	
JGB-50 × 59					59	59	
JGB-50 × 69					69	69	10
JGB-50 × 79	79	79					
JGB-50 × 89					89	89	
JGB-50 × 99					99	90	
JGB-60 × 59	60		80	+0.030 +0.011	59	59	
JGB-60 × 69					69	69	
JGB-60 × 79					79	79	10
JGB-60 × 89	89	89					
JGB-60 × 99					99	90	
JGB-70 × 69	70	+0.029 +0.010	90		69	69	
JGB-70 × 79					79	79	
JGB-70 × 89					89	89	10
JGB-70 × 99	99	99					
JGB-70 × 109					109	100	
JGB-70 × 119					119	100	
JGB-80 × 69	80		100	+0.035 +0.013	69	69	
JGB-80 × 79					79	79	
JGB-80 × 89					89	89	10
JGB-80 × 99	99	99					
JGB-80 × 109					109	100	
JGB-80 × 119					119	100	

JGBF 自润滑翻边导向套

OILLESS FLANGED GUIDE BUSHES

材质	高力黄铜 + 石墨
Material	CuZn25Al5Mn3Fe3+Graphite



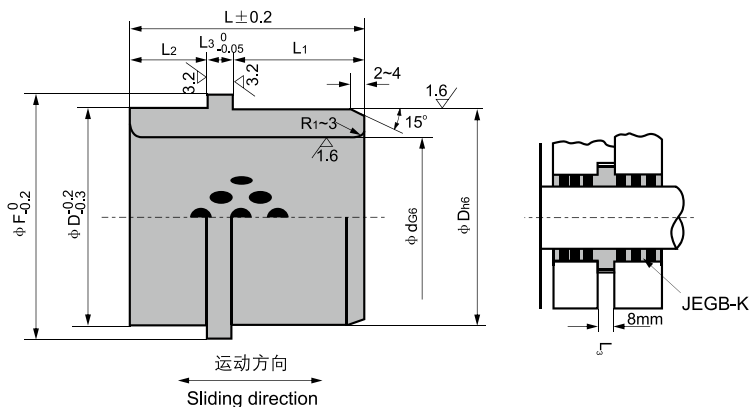
Unit(单位): mm

Standard No. 规格	φd	G6	φD	m6	φF	T	L	L ₁						
JGBF-12 × 19							19	19						
JGBF-12 × 24	12		18	+0.018 +0.007	4		24	24						
JGBF-12 × 29							29	29						
JGBF-12 × 34							34	34						
JGBF-13 × 19									25		19	19		
JGBF-13 × 24	13	+0.017 +0.006	20		5		24	24						
JGBF-13 × 29							29							
JGBF-13 × 34							34	25						
JGBF-13 × 39							39							
JGBF-16 × 19	16		25	+0.021 +0.008	30	6	19	19						
JGBF-16 × 24							24	24						
JGBF-16 × 29							29	29						
JGBF-16 × 34							34							
JGBF-16 × 39							39	30						
JGBF-16 × 49							49							
JGBF-20 × 19	20	+0.020 +0.007	30		35	8	19	19						
JGBF-20 × 24							24	24						
JGBF-20 × 29							29	29						
JGBF-20 × 34							34	34						
JGBF-20 × 39							39	39						
JGBF-20 × 49							49	40						
JGBF-20 × 59							59							
JGBF-25 × 24							25		35		40	8	24	24
JGBF-25 × 29													29	29
JGBF-25 × 34													34	34
JGBF-25 × 39	39	39												
JGBF-25 × 49	49	49												
JGBF-25 × 59	59	50												
JGBF-25 × 69	69													
JGBF-30 × 29	30	+0.020 +0.007	42	+0.025 +0.009	47	10							29	29
JGBF-30 × 34													34	34
JGBF-30 × 39													39	39
JGBF-30 × 49							49	49						
JGBF-30 × 59							59	59						
JGBF-30 × 69							69	60						
JGBF-30 × 79							79							

Standard No. 规格	φd	G6	φD	m6	φF	T	L	L ₁						
JGBF-35 × 39							39	39						
JGBF-35 × 49	35		48	+0.025 +0.009	54	10	49	49						
JGBF-35 × 59							59	59						
JGBF-35 × 69							69	69						
JGBF-35 × 79							79							
JGBF-35 × 89	40	+0.025 +0.009	55		61	10	89	70						
JGBF-35 × 99							99							
JGBF-40 × 39							39	39						
JGBF-40 × 49							49	49						
JGBF-40 × 59							59	59						
JGBF-40 × 69							69	69						
JGBF-40 × 79	79	79												
JGBF-40 × 89	40	+0.025 +0.009	55		61	10	89							
JGBF-40 × 99							99	80						
JGBF-40 × 109							109							
JGBF-50 × 49							50		70	+0.030 +0.011	76	12	49	49
JGBF-50 × 59													59	59
JGBF-50 × 69													69	69
JGBF-50 × 79	79	79												
JGBF-50 × 89	89	89												
JGBF-50 × 99	99													
JGBF-50 × 109	109	90												
JGBF-50 × 119	119													
JGBF-60 × 99	60		80		86	15							99	99
JGBF-60 × 109													109	109
JGBF-60 × 119							119	110						
JGBF-60 × 129							129							
JGBF-60 × 149							149							
JGBF-70 × 99							70	+0.029 +0.010	90		96	15	99	99
JGBF-70 × 109	109	109												
JGBF-70 × 119	119	119												
JGBF-70 × 129	129	120												
JGBF-70 × 149	149													
JGBF-80 × 99	80	+0.035 +0.013	100		108	15							99	99
JGBF-80 × 109							109	109						
JGBF-80 × 119							119	119						
JGBF-80 × 129							129	120						
JGBF-80 × 149							149							

JEGB, JEGB-K 射出座导套

OILLESS EJECTOR GUIDE BUSHES



材质	高力黄铜 + 石墨
Material	CuZn25Al5Mn3Fe3+Graphite

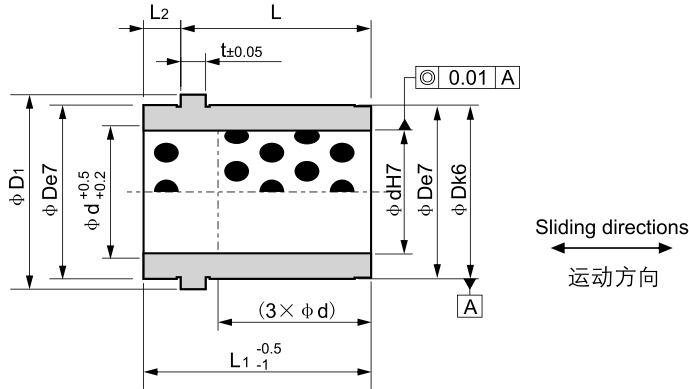


Unit(单位): mm

Standar No. 规格	Φd	G6	ΦD	h6	ΦF	L	L ₁	L ₂	L ₃		
JEGB-10 × 24	10	+0.014	16	0	21	24	10				
JEGB-10 × 28		+0.005				28	14				
JEGB-12 × 26	12		18			26	12				
JEGB-12 × 28						28	14				
JEGB-13 × 26	13		22		25	26	12				
JEGB-13 × 28						28	14				
JEGB-13 × 33						33	18				
JEGB-13 × 38						38	24				
JEGB-16 × 26	16		25	0	30	26	12	10			
JEGB-16 × 28						28	14				
JEGB-16 × 33						33	19				
JEGB-16 × 38						38	24				
JEGB-20 × 26	20		30		35	26	12				
JEGB-20 × 28						28	14				
JEGB-20 × 33						33	19				
JEGB-20 × 38						38	24				
JEGB-25 × 26	25		35		40	26	12		4		
JEGB-25 × 28						28	14				
JEGB-25 × 33						33	19				
JEGB-25 × 38						38	24				
JEGB-30 × 33	30		40	0	45	33	14				
JEGB-30 × 38						38	19				
JEGB-30 × 43						43	24				
JEGB-32 × 38						38	19				
JEGB-32 × 43	32		42		47	43	24	15			
JEGB-32 × 48						48	29				
JEGB-35 × 38	35		46		50	38	19				
JEGB-35 × 43						43	24				
JEGB-35 × 48						48	29				
JEGB-40 × 48						48	24				
JEGB-40 × 53	40		52	0	57	53	29	20			
JEGB-50 × 48						48	24				
JEGB-50 × 53	50		62	-0.019	67	53	29				
JEGB-K-30 × 37	30		42	0	47	37	14	15			
JEGB-K-30 × 42						42	19				
JEGB-K-30 × 47						47	24				
JEGB-K-30 × 52						52	29				
JEGB-K-40 × 53	40		55	0	60	53	20	25			
JEGB-K-40 × 57						57	24				
JEGB-K-40 × 60						60	32			20	8
JEGB-K-40 × 67						67	29			30	
JEGB-K-40 × 70	40		55		55	70	42	20			
JEGB-K-50 × 67						67	29	30			
JEGB-K-50 × 87	50		62	0	67	87	39	40			
JEGB-K-60 × 67						67	29	30			
JEGB-K-60 × 87	60		74	-0.019	82	87	39	40			

JOSG 射出头自润导套

EJECTOR GUIDE BUSHES



材质	高力黄铜 + 石墨
Material	CuZn25Al5Mn3Fe3+Graphite



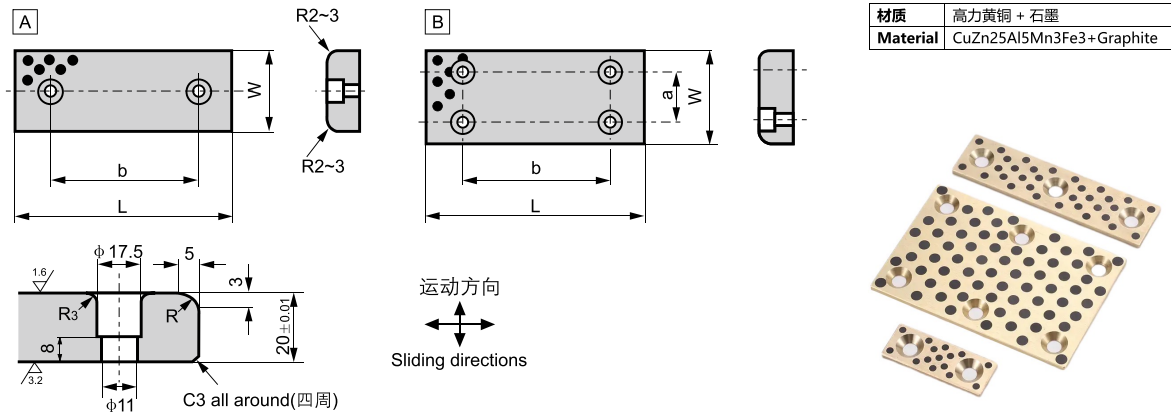
Unit(单位): mm

Standar No. 规格	d	L	L ₁	L ₂	t	D	Tolerance		D ₁	L ₁	
							e7	k6			
JOSG-9x15	9	12	15	3	3	14	-0.032 -0.050	+0.012 +0.001	16	9	+0.015 0
JOSG-9x20	"	17	20	"	"	"	"	"	"	"	"
JOSG-9x25	"	22	25	"	"	"	"	"	"	"	"
JOSG-9x30	"	27	30	"	"	"	"	"	"	"	"
JOSG-9x39	"	36	39	"	"	"	"	"	"	"	"
JOSG-10x15	10	12	15	"	"	"	"	"	10	"	"
JOSG-10x20	"	17	20	"	"	"	"	"	"	"	"
JOSG-10x25	"	22	25	"	"	"	"	"	"	"	"
JOSG-10x30	"	27	30	"	"	"	"	"	"	"	"
JOSG-10x39	"	36	39	"	"	"	"	"	"	"	"
JOSG-14x26	14	17	26	9	6	20	-0.040 -0.061	+0.015 +0.002	25	14	+0.018 0
JOSG-14x31	"	22	31	"	"	"	"	"	"	"	"
JOSG-14x36	"	27	36	"	"	"	"	"	"	"	"
JOSG-14x45	"	36	45	"	"	"	"	"	"	"	"
JOSG-14x55	"	46	55	"	"	"	"	"	"	"	"
JOSG-14x65	"	56	65	"	"	"	"	"	"	"	"
JOSG-15x26	15	17	26	"	"	"	"	"	15	"	"
JOSG-15x31	"	22	31	"	"	"	"	"	"	"	"
JOSG-15x36	"	27	36	"	"	"	"	"	"	"	"
JOSG-15x45	"	36	45	"	"	"	"	"	"	"	"
JOSG-15x55	"	46	55	"	"	"	"	"	"	"	"
JOSG-15x65	"	56	65	"	"	"	"	"	"	"	"
JOSG-18x26	18	17	26	"	"	26	"	"	31	18	"
JOSG-18x31	"	22	31	"	"	"	"	"	"	"	"
JOSG-18x36	"	27	36	"	"	"	"	"	"	"	"
JOSG-18x45	"	36	45	"	"	"	"	"	"	"	"
JOSG-18x55	"	46	55	"	"	"	"	"	"	"	"
JOSG-18x65	"	56	65	"	"	"	"	"	"	"	"
JOSG-18x75	"	66	75	"	"	"	"	"	"	"	"
JOSG-20x26	20	17	26	"	"	"	"	"	20	+0.021 0	"
JOSG-20x31	"	22	31	"	"	"	"	"	"	"	"
JOSG-20x36	"	27	36	"	"	"	"	"	"	"	"
JOSG-20x45	"	36	45	"	"	"	"	"	"	"	"
JOSG-20x55	"	46	55	"	"	"	"	"	"	"	"
JOSG-20x65	"	56	65	"	"	"	"	"	"	"	"
JOSG-20x75	"	66	75	"	"	"	"	"	"	"	"
JOSG-22x26	22	17	26	"	"	30	"	"	35	22	"
JOSG-22x31	"	22	31	"	"	"	"	"	"	"	"
JOSG-22x36	"	27	36	"	"	"	"	"	"	"	"
JOSG-22x45	"	36	45	"	"	"	"	"	"	"	"
JOSG-22x55	"	46	55	"	"	"	"	"	"	"	"
JOSG-22x65	"	56	65	"	"	"	"	"	"	"	"
JOSG-22x75	"	66	75	"	"	"	"	"	"	"	"
JOSG-22x85	"	76	85	"	"	"	"	"	"	"	"
JOSG-22x95	"	86	95	"	"	"	"	"	"	"	"

Standar No. 规格	d	L	L ₁	L ₂	t	D	Tolerance		D ₁	L ₁	
							e7	k6			
JOSG-24x26	24	17	26	9	6	30	-0.040 -0.061	+0.015 +0.002	35	24	+0.021
JOSG-24x31	"	22	31	"	"	"	"	"	"	"	"
JOSG-24x36	"	27	36	"	"	"	"	"	"	"	"
JOSG-24x45	"	36	45	"	"	"	"	"	"	"	"
JOSG-24x55	"	46	55	"	"	"	"	"	"	"	"
JOSG-24x65	"	56	65	"	"	"	"	"	"	"	"
JOSG-24x75	"	66	75	"	"	"	"	"	"	"	"
JOSG-24x85	"	76	85	"	"	"	"	"	"	"	"
JOSG-24x95	"	86	95	"	"	"	"	"	"	"	"
JOSG-30x36	30	27	36	"	"	42	-0.050 -0.048	"	47	30	"
JOSG-30x45	"	36	45	"	"	"	"	"	"	"	"
JOSG-30x55	"	46	55	"	"	"	"	"	"	"	"
JOSG-30x65	"	56	65	"	"	"	"	"	"	"	"
JOSG-30x75	"	66	75	"	"	"	"	"	"	"	"
JOSG-30x85	"	76	85	"	"	"	"	"	"	"	"
JOSG-30x95	"	86	95	"	"	"	"	"	"	"	"
JOSG-30x105	"	96	105	"	"	"	"	"	"	"	"
JOSG-30x125	"	116	125	"	"	"	"	"	"	"	"
JOSG-32x36	32	27	36	"	"	"	"	"	"	32	+0.025
JOSG-32x45	"	36	45	"	"	"	"	"	"	"	"
JOSG-32x55	"	46	55	"	"	"	"	"	"	"	"
JOSG-32x65	"	56	65	"	"	"	"	"	"	"	"
JOSG-32x75	"	66	75	"	"	"	"	"	"	"	"
JOSG-32x85	"	76	85	"	"	"	"	"	"	"	"
JOSG-32x95	"	86	95	"	"	"	"	"	"	"	"
JOSG-32x105	"	96	105	"	"	"	"	"	"	"	"
JOSG-32x125	"	116	125	"	"	"	"	"	"	"	"
JOSG-40x68	40	56	68	12	10	54	-0.060 -0.090	+0.021 +0.002	60	40	"
JOSG-40x78	"	66	78	"	"	"	"	"	"	"	"
JOSG-40x88	"	76	88	"	"	"	"	"	"	"	"
JOSG-40x98	"	86	98	"	"	"	"	"	"	"	"
JOSG-40x108	"	96	108	"	"	"	"	"	"	"	"
JOSG-40x128	"	116	128	"	"	"	"	"	"	"	"
JOSG-40x148	"	136	148	"	"	"	"	"	"	"	"
JOSG-40x168	"	156	168	"	"	"	"	"	"	"	"
JOSG-42x68	42	56	68	"	"	"	"	"	"	42	"
JOSG-42x78	"	66	78	"	"	"	"	"	"	"	"
JOSG-42x88	"	76	88	"	"	"	"	"	"	"	"
JOSG-42x98	"	86	98	"	"	"	"	"	"	"	"
JOSG-42x108	"	96	108	"	"	"	"	"	"	"	"
JOSG-42x128	"	116	128	"	"	"	"	"	"	"	"
JOSG-42x148	"	136	148	"	"	"	"	"	"	"	"
JOSG-42x168	"	156	168	"	"	"	"	"	"	"	"

JESF 自润滑板

OILLESS WEAR PLATE

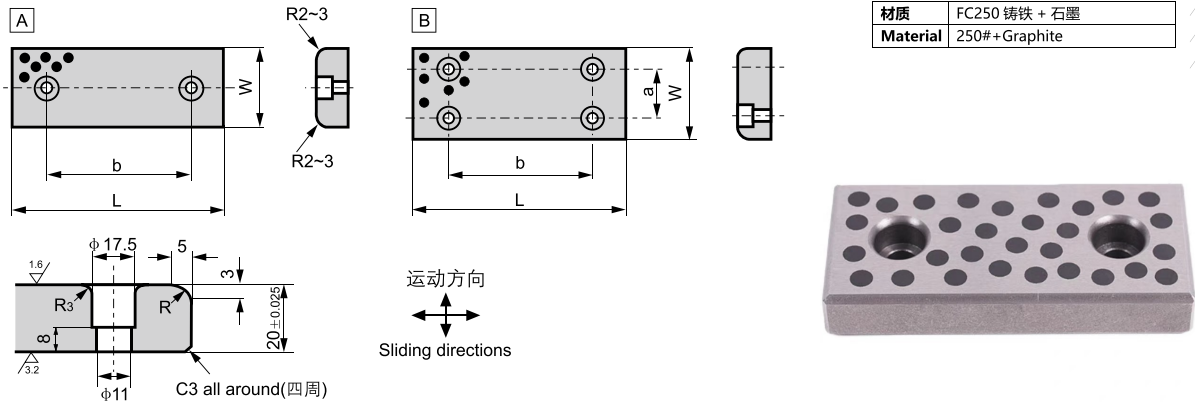


Unit(单位): mm

Standard No. 规格	W	L	a	b	Sketch 图示
JESF-48 × 75		75		45	
JESF-48 × 100		100		50	
JESF-48 × 125	48	125	—	75	
JESF-48 × 150		150		100	
JESF-48 × 200		200		150	
JESF-75 × 75		75		25	A
JESF-75 × 100		100		50	
JESF-75 × 125	75	125	—	75	
JESF-75 × 150		150		100	
JESF-75 × 200		200		150	
JESF-75 × 250		250		200	
JESF-100 × 100		100		50	
JESF-100 × 125		125		75	
JESF-100 × 150	100	150	50	100	
JESF-100 × 200		200		150	
JESF-100 × 250		250		200	
JESF-100 × 300		300		200	
JESF-125 × 125		125		75	B
JESF-125 × 150		150		100	
JESF-125 × 200	125	200	50	150	
JESF-125 × 250		250		200	
JESF-125 × 300		300		200	
JESF-150 × 150		150		100	
JESF-150 × 200	150	200	100	150	
JESF-150 × 250		250		200	

JMWP 自润滑板

OILLESS MIDDLE WEAR PLATE

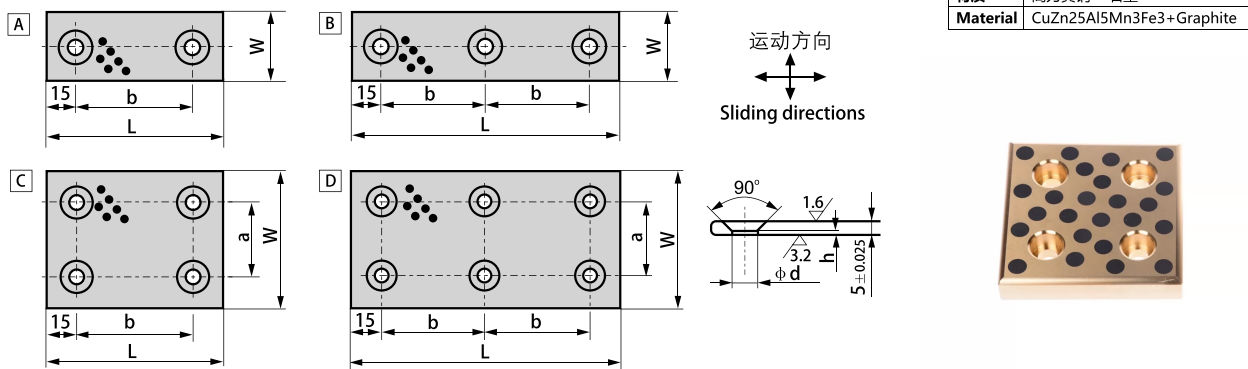


Unit(单位): mm

Standard No. 规格	W	L	a	b	Sketch 图示	
JMWP-28 × 75	28	75	—	45	A	
JMWP-28 × 100		100				
JMWP-28 × 120		125				
JMWP-28 × 150		150				
JMWP-28 × 200		200				
JMWP-38 × 75	38	75	—	45		
JMWP-38 × 100		100				
JMWP-38 × 125		125				
JMWP-38 × 150		150				
JMWP-38 × 200		200				
JMWP-48 × 75	48	75	—	45		
JMWP-48 × 100		100				
JMWP-48 × 125		125				
JMWP-48 × 150		150				
JMWP-48 × 200		200				
JMWP-58 × 75	58	75	—	45		
JMWP-58 × 100		100				
JMWP-58 × 150		150				
JMWP-75 × 75		75		75	—	25
JMWP-75 × 100				100		
JMWP-75 × 125	125					
JMWP-75 × 150	150					
JMWP-75 × 200	200					
JMWP-100 × 100	100	100	50	50		
JMWP-100 × 125		125				
JMWP-100 × 150		150				
JMWP-100 × 200		200				
JMWP-100 × 250		250				
JMWP-125 × 125	125	125	50	75		
JMWP-125 × 150		150				
JMWP-125 × 200		200				
JMWP-125 × 250		250				
JMWP-150 × 150		150		150	100	100
JMWP-150 × 200	200					
JMWP-150 × 250	250					
JMWP-150 × 300	300					
JMWP-200 × 200	200		200	150		150
JMWP-200 × 250		250				
JMWP-200 × 300		300				

JUWP 自润滑板

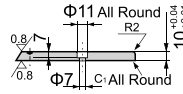
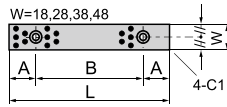
OILLESS THIN WEAR PLATE



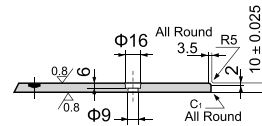
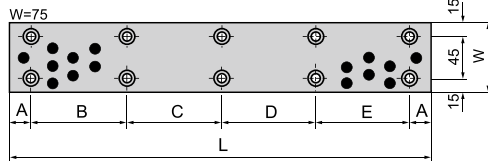
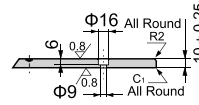
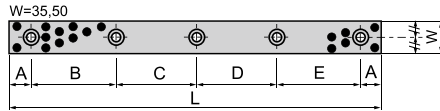
Unit(单位): mm

Standard No. 规格	W	d	h	L	a	b	Sketch 图示
JUWP-18 × 50	18	6.5	1.5	50	—	20	A
JUWP-18 × 75				75		45	
JUWP-18 × 100				100		70	
JUWP-18 × 150				150		60	
JUWP-28 × 50	28			50	—	20	A
JUWP-28 × 75				75		45	
JUWP-28 × 100				100		70	
JUWP-28 × 150				150		60	
JUWP-38 × 50	38			50	—	20	A
JUWP-38 × 75				75		45	
JUWP-38 × 100				100		70	
JUWP-38 × 150				150		60	
JUWP-48 × 75	48	10	0.8	75	—	45	A
JUWP-48 × 100				100		70	
JUWP-48 × 125				125		95	
JUWP-48 × 150				150		60	
JUWP-75 × 75	75			75	45	45	C
JUWP-75 × 100				100		70	
JUWP-75 × 125				125		95	
JUWP-75 × 150				150		60	
JUWP-100 × 100	100			100	70	70	C
JUWP-100 × 125				125		95	
JUWP-100 × 150				150		60	

STANDARD SIZE TABLE OF JSP SLIDE PLATE



材质	高力黄铜 + 石墨
Material	CuZn25Al5Mn3Fe3+Graphite

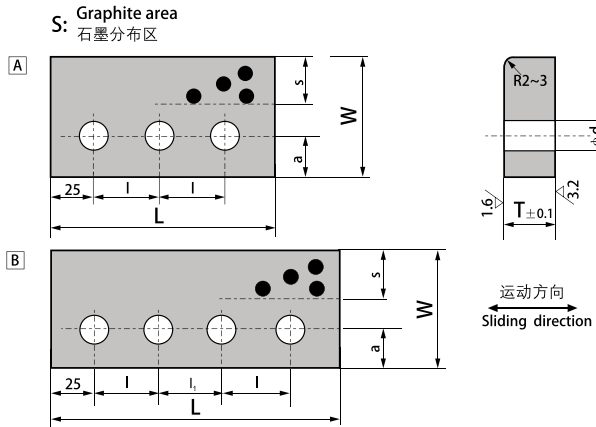


Unit(单位): mm

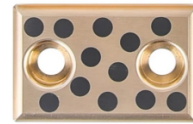
Standard No. 规格	W 宽度	L 长度	A	B	C	D	E	Fiat Head Screw 平头螺钉	No. of Holes 孔数
JSP-1875	18	75	15	45				M6	2
JSP-18100	18	100	25	60				M6	2
JSP-18125	18	125	25	75				M6	2
JSP-18150	18	150	25	100				M6	2
JSP-2875	28	75	15	45				M6	2
JSP-28100	28	100	25	50				M6	2
JSP-28125	28	125	25	75				M6	2
JSP-28150	28	150	25	100				M6	2
JSP-35100	35	100	20	60				M8	2
JSP-35150	35	150	20	55	55			M8	3
JSP-35200	35	200	20	55	50	55		M8	4
JSP-35250	35	250	20	70	70	70		M8	4
JSP-35300	35	300	20	65	65	65	65	M8	5
JSP-35350	35	350	20	80	75	75	80	M8	5
JSP-3875	38	75	15	45				M6	2
JSP-38100	38	100	25	50				M6	2
JSP-38125	38	125	25	75				M6	2
JSP-38150	38	150	25	100				M6	2
JSP-4875	48	75	15	45				M6	2
JSP-48100	48	100	25	50				M6	2
JSP-48125	48	125	25	75				M6	2
JSP-48150	48	150	25	100				M6	2
JSP-50100	50	100	20	60				M8	2
JSP-50150	50	150	20	55	55			M8	3
JSP-50200	50	200	20	55	50	55		M8	4
JSP-50250	50	250	20	70	70	70		M8	4
JSP-50300	50	300	20	65	65	65	65	M8	5
JSP-50400	50	400	20	90	90	90	90	M8	5
JSP-75150	75	150	20	110				M8	4
JSP-75200	75	200	20	80	80			M8	6
JSP-75250	75	250	20	105	105			M8	6
JSP-75300	75	300	20	85	90	85		M8	8
JSP-75400	75	400	20	120	120	120		M8	8
JSP-75500	75	500	20	115	115	115	115	M8	10

JCUW, JCUF 凸轮上滑板

OILLESS CAM UPPER PLATE



JCUW	材质	高力黄铜 + 石墨
	Material	CuZn25Al5Mn3Fe3+Graphite
JCUF	材质	FC250 铸铁 + 石墨
	Material	250#+Graphite

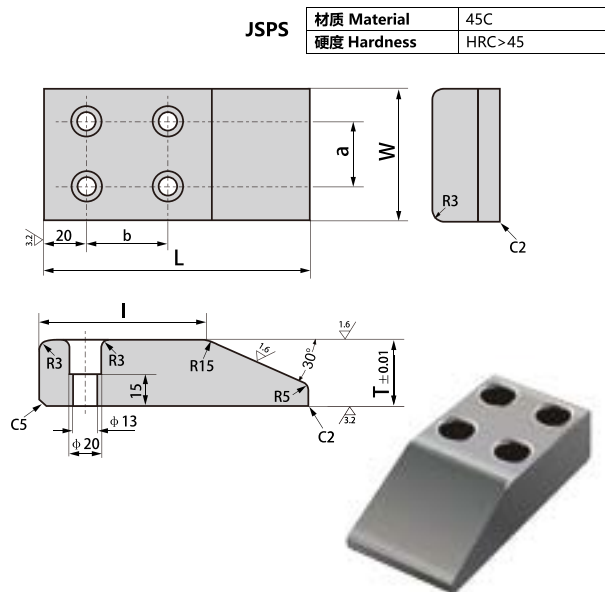
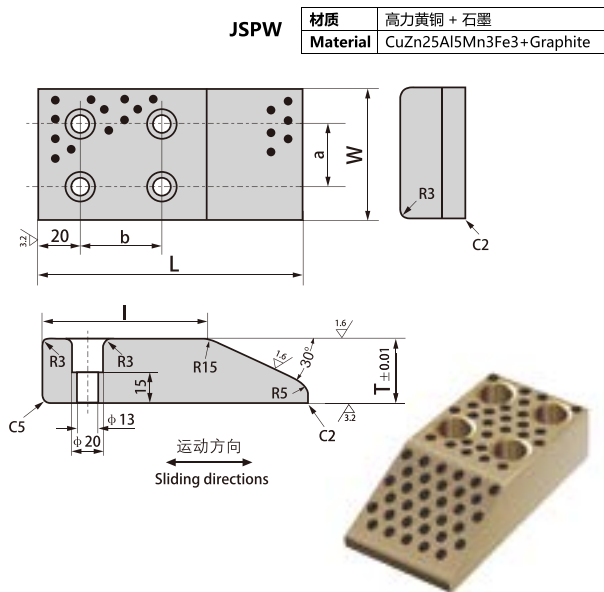


Unit(单位): mm

Standard No. 规格	T	L	W	l	l ₁	a	s	Φd	Sketch 图示
JCUW-20 × 150	20	150	52	50	—	20	12	13	A
JCUW-20 × 200		200		75	50				B
JCUW-20 × 250		250		50	B				
JCUW-30 × 150	30	150	72	50	—	20	22	18	A
JCUW-30 × 200		200		75	50				B
JCUW-30 × 250		250		50	B				
JCUW-35 × 150	35	150	77	50	—	20	27	18	A
JCUW-35 × 200		200		75	50				B
JCUW-35 × 250		250		50	B				
JCUW-40 × 150	40	150	82	50	—	20	32	18	A
JCUW-40 × 200		200		75	50				B
JCUW-40 × 250		250		50	B				
JCUW-40 × 150D	40	150	105	50	—	20	32	18	A
JCUW-40 × 200D		200		50	B				
JCUW-40 × 250D		250		50	B				
JCUF-20 × 150	20	150	52	50	—	20	12	13	A
JCUF-20 × 200		200		75	50				B
JCUF-20 × 250		250		50	B				
JCUF-30 × 150	30	150	72	50	—	20	22	18	A
JCUF-30 × 200		200		75	50				B
JCUF-30 × 250		250		50	B				
JCUF-35 × 150	35	150	77	50	—	20	27	18	A
JCUF-35 × 200		200		75	50				B
JCUF-35 × 250		250		50	B				
JCUF-40 × 150	40	150	82	50	—	20	32	18	A
JCUF-40 × 200		200		75	50				B
JCUF-40 × 250		250		50	B				
JCUF-40 × 150D	40	150	105	50	—	20	32	18	A
JCUF-40 × 200D		200		50	B				
JCUF-40 × 250D		250		50	B				

JSPW, JSPS 凸轮行程滑板

CAM STROKE PLATE

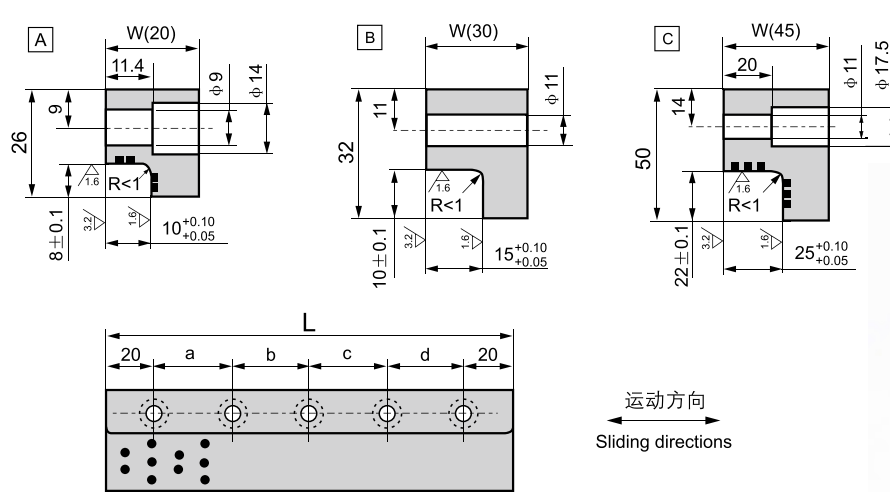
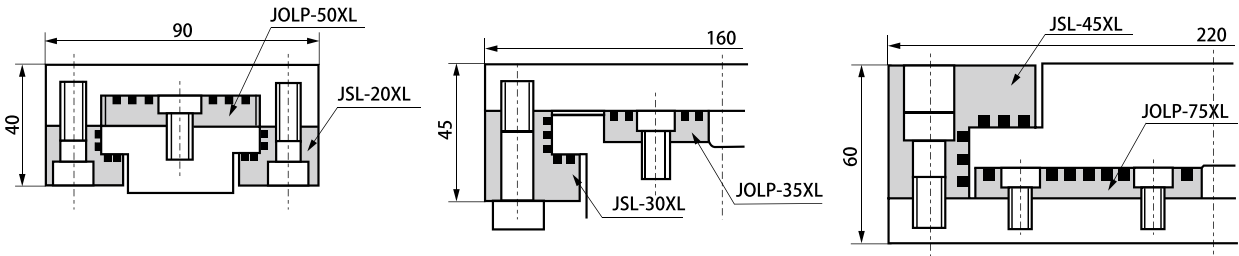


Unit(单位): mm

Standard No. 规格	W	L	T	l	a	b
JSPW-75 × 130	75	130	30	95	40	50
JSPW-75 × 150		150	45	90		45
JSPW-75 × 170		170	60	90		45
JSPW-75 × 200		200	60	120		75
JSPW-100 × 130	100	130	30	95	60	50
JSPW-100 × 150		150	45	90		45
JSPW-100 × 170		170	60	90		45
JSPW-100 × 200		200	60	120		75
JSPW-125 × 130	125	130	30	95	85	50
JSPW-125 × 150		150	45	90		45
JSPW-125 × 170		170	60	120		75
JSPW-125 × 200		200	60	120		75
JSPW-150 × 130	150	130	30	95	110	50
JSPW-150 × 150		150	45	90		45
JSPW-150 × 170		170	60	90		45
JSPW-150 × 200		200	60	120		75
JSPS-75 × 130	75	130	30	95	40	50
JSPS-75 × 150		150	45	90		45
JSPS-75 × 170		170	60	90		45
JSPS-75 × 200		200	60	120		75
JSPS-100 × 130	100	130	30	95	60	50
JSPS-100 × 150		150	45	90		45
JSPS-100 × 170		170	60	90		45
JSPS-100 × 200		200	60	120		75
JSPS-125 × 130	125	130	30	95	85	50
JSPS-125 × 150		150	45	90		45
JSPS-125 × 170		170	60	120		75
JSPS-125 × 200		200	60	120		75
JSPS-150 × 130	150	130	30	95	110	50
JSPS-150 × 150		150	45	90		45
JSPS-150 × 170		170	60	90		45
JSPS-150 × 200		200	60	120		75

JSL L型自润滑板

OILLESS SHAPED PLATE



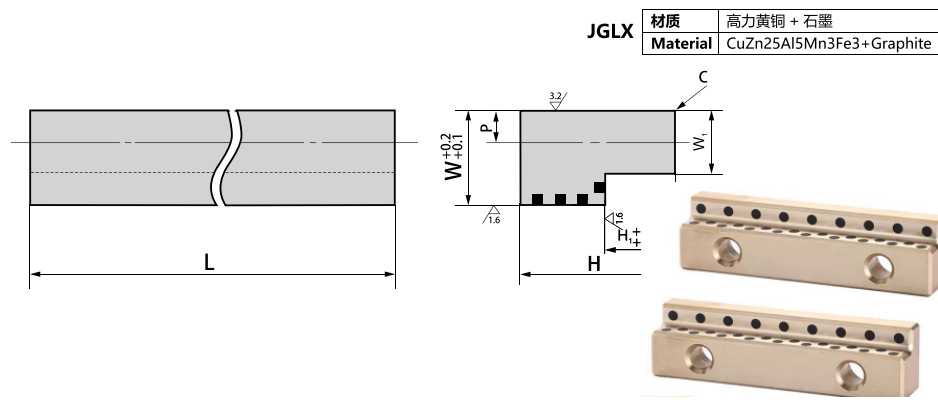
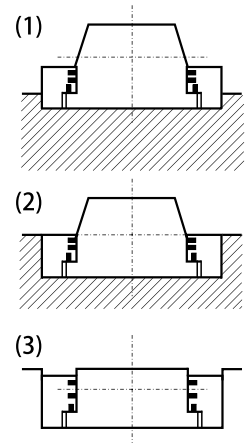
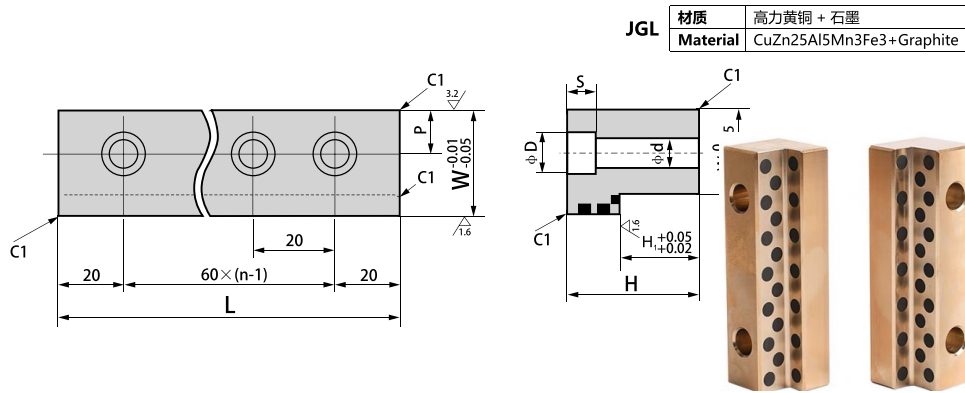
材质	高力黄铜 + 石墨
Material	CuZn25Al5Mn3Fe3+Graphite

Unit(单位): mm

Standard No. 规格	W	L	Bolt location 螺栓位置				Bolt 螺栓		Sketch 图示
			a	b	c	d	Type 规格	Q' ty 数量	
JSL-20 × 100	20	100	60	—	—	—	M8	2	A
JSL-20 × 150		150	55	55	—	—		3	
JSL-20 × 200		200	55	50	55	—		4	
JSL-30 × 100	30	100	60	—	—	—	M10	2	B
JSL-30 × 150		150	55	55	—	—		3	
JSL-30 × 200		200	55	50	55	—		4	
JSL-30 × 250	45	250	70	70	70	—	M10	4	C
JSL-45 × 200		200	55	50	55	—		4	
JSL-45 × 250		250	70	70	70	—		4	
JSL-45 × 300	45	300	65	65	65	65	M10	5	C
JSL-45 × 350		350	80	75	75	80		5	

JGL, JGLX 自润导轨

OILLESS GUIDE PAIL



Unit(单位): mm

Standard No. 规格	W	W ₁	L	H	H ₁	n	p	ΦD	Φd	S	Standard No. 规格	W	W ₁	H	H ₁	L	Recom. Bolt 螺栓	
																	P	Size 尺寸
JGL-100 × 30			100			2					JGLX-20 × 15			15				
JGL-160 × 30			160	30	15	3					JGLX-20 × 20			20	5			
JGL-220 × 30	23	15	220			4	7.5	11	7	7	JGLX-20 × 25	20	14.5	25			8	
JGL-100 × 41			100		2	JGLX-20 × 23								23				
JGL-160 × 41			160	41	26	3					JGLX-20 × 28			28	8			
JGL-220 × 41			220			4					JGLX-25 × 28			28			M8	
JGL-100 × 25			100			2					JGLX-25 × 33	25	17.5	33	10			
JGL-160 × 25			160	25	10	3					JGLX-25 × 43					43		
JGL-220 × 25			220			4	10	18	11	13	JGLX-30 × 38			38		320	10	
JGL-100 × 35			100			2					JGLX-30 × 43	30	19	43				
JGL-160 × 35	28	20	160	35	15	3					JGLX-30 × 53					53	15	
JGL-220 × 35					220			4				JGLX-35 × 43			43			
JGL-100 × 56			100			2					JGLX-35 × 53	35	23	53			12	M10
JGL-160 × 56			160	56	26	3	10	14	9	10	JGLX-35 × 63					63		
JGL-220 × 56			220			4					JGLX-40 × 45			45				
											JGLX-40 × 55	40	28	55	20		14	M12
										JGLX-40 × 65						65		

viiplus



Maintenance-free, plain bearings

Always Self-lubricating, Always Long -Lasting...
Reduce your cost!

Global website: <https://www.viiplus.com>